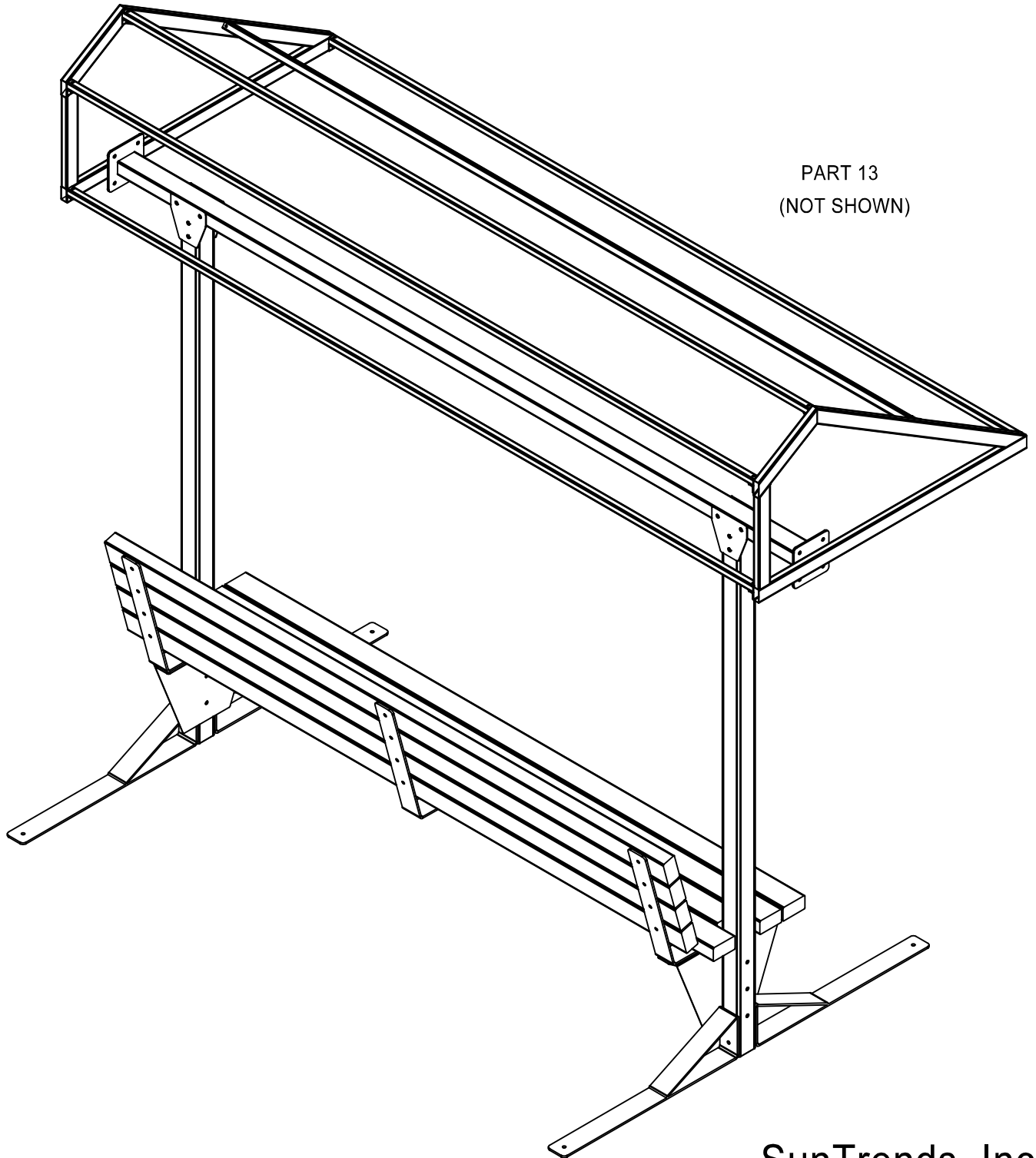


# Cabana Bench With Back Modified 10'

- Surface Mount -



PART 13  
(NOT SHOWN)

ISOMETRIC VIEW

SunTrends, Inc.

P.O. BOX 101057  
DENVER, CO 80250  
303-744-2647

PROPRIETARY AND CONFIDENTIAL  
THE INFORMATION CONTAINED IN THIS  
DRAWING IS THE SOLE PROPERTY OF  
SUNTRENDS INC. ANY  
REPRODUCTION IN PART OR AS A WHOLE  
WITHOUT THE WRITTEN PERMISSION OF  
SUNTRENDS INC. IS  
PROHIBITED

SHEET 1 OF 5